

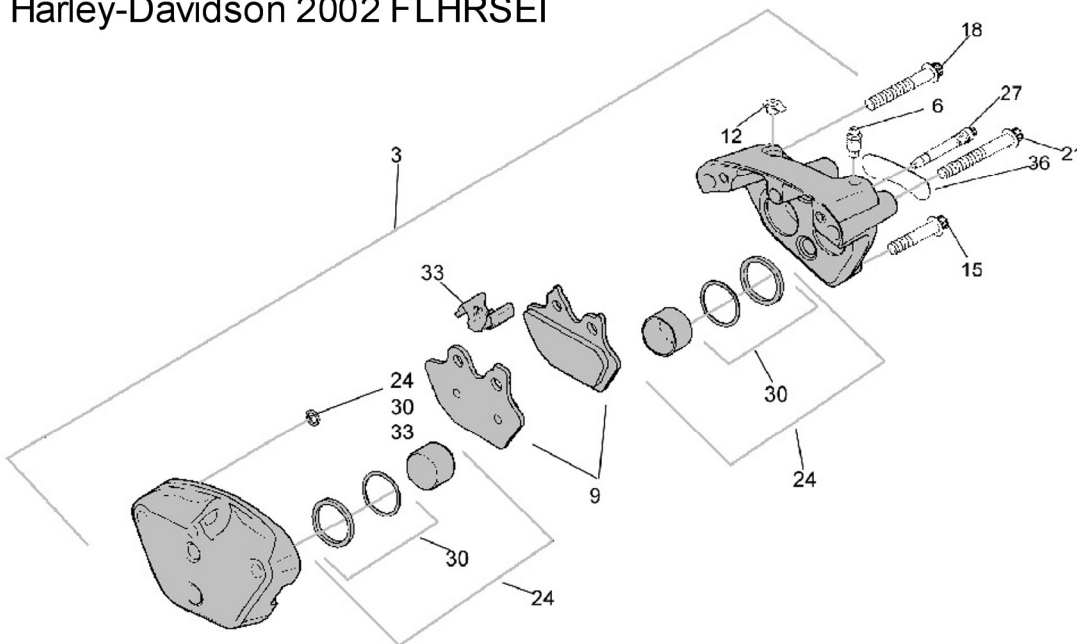


motorcyclemetal.com

# Motorcycle Brake & Control Illustrations

Howard Messner, 1-866-899-5962 Toll Free

## FRONT BRAKE - CALIPER - Harley-Davidson 2002 FLHRSEI

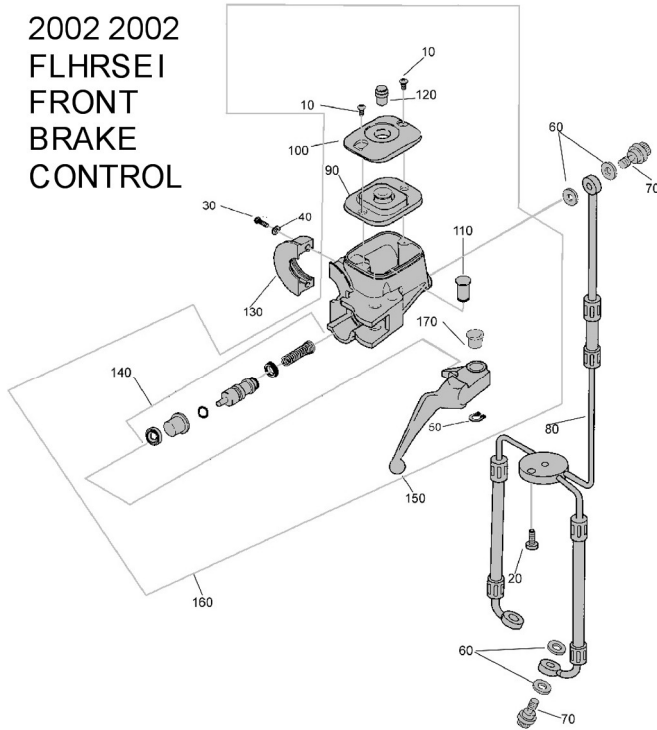


## Harley-Davidson 2002 FLHRSEI

### FRONT BRAKE - CALIPER

Description	Part Number	Unit Price
3: CALIPER ASSY,FRNT LH SLVR W/O DECAL (SILVER)	1649783-001	\$160.16
6: SCREW, BLEEDER (DUAL CALIPERS)	1649533-001	\$4.60
9: HD-44082-00D	1649564-001	\$35.95
12: SCREW, BLEEDER	1649645-001	\$2.00
15: BOLT, LOWER CALIPER MTG.	1649665-001	\$1.50
18: BOLT, UPPER CALIPER MTG.	1649668-001	\$2.00
21: BOLT, BRIDGE	1649680-001	\$4.65
24: PISTON KIT	1649758-001	\$68.00
27: PAD PIN KIT	1649759-001	\$6.00
30: SEAL KIT, BRAKE CALIPER	1649760-001	\$13.25
33: SPRING KIT, ANTI-RATTLE	1928920-001	\$4.00
36: CALIPER INSERT-PLAIN	1649835-001	\$9.95

2002 2002  
FLHRSEI  
FRONT  
BRAKE  
CONTROL

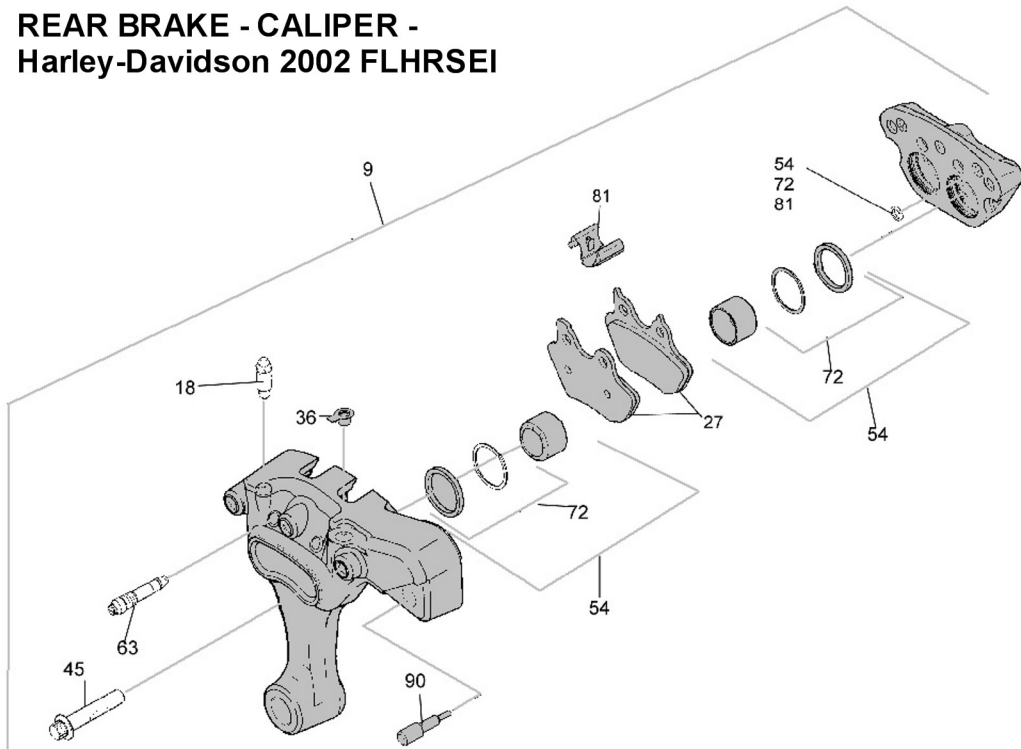


## Harley-Davidson 2002 FLHRSEI

### FRONT BRAKE - Control

Description	Part Number	Unit Price
1: SCREW	1640942-001	\$5.00
2: SCREW, FLAT TOP PAN HEAD MACH	1646778-001	\$0.50
3: SCREW, HEX SOCKET BUTTON HEAD	1648133-001	\$0.50
4: WASHER	1663631-001	\$1.00
5: RETAINING RING, EXT.	1636309-001	\$1.00
6: GASKET	1648290-001	\$0.50
7: BOLT, BANJO (DUAL CALIPERS)	1648309-001	\$4.00
8: BRAKE LINE, FRONT, BRAIDED	1929321-001	\$106.80
9: GASKET, COVER	1649893-001	\$8.50
11: PIVOT PIN	1649940-001	\$6.75
12: DISCONTINUED	1649952-001	\$5.00
13: CLAMP, MSTR CYL & CLUTCH, CHROME	1929072-001	\$23.95
14: MASTER CYLINDER REPAIR KIT, FRONT(11/16 BORE)	1649991-001	\$36.50
15: BRAKE LEVER, (CHROME)	1649996-001	\$45.95
16: MASTER CYLINDER ASSY, CHROME	1650097-001	\$213.85
17: LEVER PIVOT BUSHING	1650296-001	\$2.50

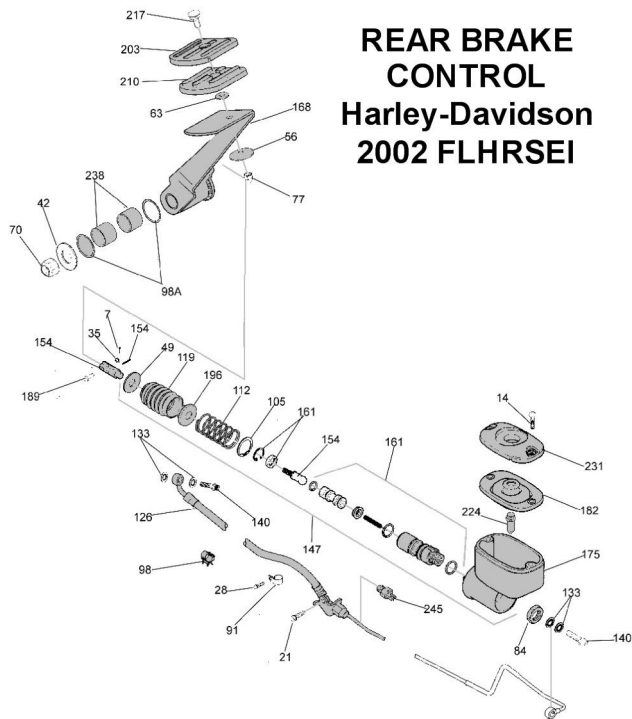
**REAR BRAKE - CALIPER -  
Harley-Davidson 2002 FLHRSEI**



**Harley-Davidson 2002 FLHRSEI**

**REAR BRAKE - CALIPER**

<b>Description</b>	<b>Part Number</b>	<b>Unit Price</b>
9: CALIPER ASSY, REAR, SILVER(SILVER)	1649800-001	\$182.00
18: SCREW, BLEEDER (DUAL CALIPERS)	1649533-001	\$4.60
27: HD-44082-00D	1649564-001	\$35.95
36: SCREW, BLEEDER	1649645-001	\$2.00
45: BOLT, BRIDGE	1649680-001	\$4.65
54: PISTON KIT	1649758-001	\$68.00
63: PAD PIN KIT	1649759-001	\$6.00
72: SEAL KIT, BRAKE CALIPER	1649760-001	\$13.25
81: SPRING KIT, ANTI-RATTLE	1928920-001	\$4.00
90: RUBBER BUMPER	1649770-001	\$2.95



**REAR BRAKE CONTROL**  
**Harley-Davidson**  
**2002 FLHRSEI**

**Harley-Davidson 2002 FLHRSEI**  
**REAR BRAKE CONTROL**

<b>Description</b>	<b>Part Number</b>	<b>Unit Price</b>
98A: O-RING	1636441-001	\$0.30
07: COTTER PIN (USED WITH 42460--80A)	1653256-001	\$0.40
14: SCREW	1640942-001	\$5.00
21: SCREW, FLANGE	1646611-001	\$0.50
28: SCREW, HEX HEAD	1648561-001	\$0.50
35: WASHER	1667026-001	\$1.00
42: WASHER	1667589-001	\$0.21
49: WASHER, BOOT RETAINER	1667743-001	\$2.50
56: OFFSET WASHER	1667862-001	\$1.95
63: FLAT WASHER	1667870-001	\$0.60
70: NUT, FLEX (CHAIN DRIVE ONLY)	1679016-001	\$1.00
77: CENTER LOCK ACORN NUT	1679257-001	\$2.50
84: NUT, HEX JAM	1679260-001	\$3.00
91: CLAMP, CABLE	1636048-001	\$0.65
98: CLIP, CABLE, ROLLOVER VALVE(NOT ILLUSTRATED)	1636109-001	\$0.40
105: RETAINING RING, SPRING	1647860-001	\$2.00
112: PEDAL RETURN SPRING	1647865-001	\$3.00
119: BOOT, REAR MASTER CYLINDER	1647868-001	\$5.25
126: BRAKE LINE, REAR	1647928-001	\$75.50
133: GASKET	1648290-001	\$0.50
140: BOLT, BANJO (DUAL CALIPERS)	1648309-001	\$4.00

147: DISCONTINUED	1648315-001	\$99.64
154: PUSH ROD KIT	1928623-001	\$28.00
161: MASTER CYLINDER REPAIR KIT, REAR	1648548-001	\$60.00
175: RESERVOIR, INT CARTRIDGE, MSTR CYLINDER	1648624-001	\$17.95
182: GASKET, MASTER CYLINDER	1648628-001	\$11.50
189: CLEVIS PIN, FX (USE WITH 515)	1648634-001	\$2.00
196: RETURN SPRING RETAINER	1649622-001	\$3.00
203: BRAKE PEDAL COVER	1649719-001	\$15.00
210: RUBBER TREAD 3-SLOT	1649720-001	\$10.00
217: FASTENER W/RUBBER LOGO (3 SLOT)	1649721-001	\$3.95
224: DISCONTINUED	1649952-001	\$5.00
238: BUSHING	1656998-001	\$1.99
245: BRAKE LIGHT SWITCH KIT, REAR	1677550-001	\$19.35



*Motorcyclemetal.com Inc.*

*5490 S.W. 42nd St.*

*Davie, FL 33314*

*1-866-899-5962 Toll free*

*1-954-449-6173 Local*

